

Assembly Instructions JK270

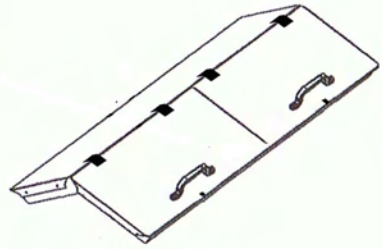
Notes	a	DO NOT THROW AWAY OR REMOVE ANY OF THE INSULATION MATERIALS - THESE ARE NOT PACKAGING!!!
	b	Two people will assemble the machine quicker than one.
	c	Self-tapping screws X - these have a larger diameter than the holes - do not be afraid to 'force' them - the idea is that they cut a thread in the metal of the end panels. Do not fully tighten the screws until all panels are in place

Tools 2 x 13 mm wrenches (or adjustables)
 Cross head / Phillips screwdriver

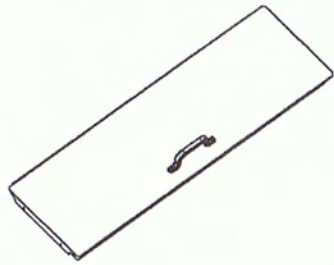
Diagram **What to do**
No.

1	a	Attach one end of flat brace R to one of the A pieces as shown using bolt P and nut J. Note that it should be attached to the leg of the A piece that does NOT have the holes for the diagonal bracing pieces in it.
	b	Insert one threaded rod B through the hole in the top of the support A and the other through the bottom hole in A and the brace R as shown.
	c	Hand-tighten lock-nuts J onto the end of the threaded rods B
2	Slip steel pipes C over rods B	
3	Insert the long plastic pipe D over pipe C as shown in diagram 3 (this might have been done in the factory).	
4	a	Slip 1 x plastic pipe M over plastic pipe D.
	b	Place metal side panel E onto D (if tight, lubricate with washing-up liquid)
	c	Place insulation Fa onto D and line up the ventilation holes with those on E
	d	Place 1 x plastic pipe L onto D and push down as far as it will go.
	e	Place plastic plate K onto D, followed by the insulation Fb and the other plate K .
	f	Line up the holes on plates K and push plastic bolts V through the insulation.
	g	Screw on plastic nuts U and tighten until the insulation is compressed about ¼" or 5mm
	h	Place other plastic pipe L onto D, pushing it down as far as it will go.
	i	Push insulation Fa onto D followed by the metal side panel E, lining up the ventilation holes, then other plastic pipe M.
	j	Attach one end of the other brace R to the remaining A piece with bolt P and nut J. Note that it should be attached to the leg of the A piece that does NOT have the holes for the diagonal bracing pieces in it.
	k	Mount support A onto rods B and fix with lock-nuts J (hand tight) Note: if not enough of the thread is visible, push down pipes L and the insulation pieces as far as they will go.
	l	Carefully place the machine upright on its stand.
	m	Tighten the lock-nuts J with the spanners / wrenches
5	a	Attach the double panel Ha. Note that there is one edge of the end piece that has no screw holes. The opening lids should be positioned on this edge. The other panel is screwed on. You might have to press down and compress the insulation slightly to line up the holes.
	b	Screw on panel Hd so that the opening lids can be clipped shut.
	c	Panels Ha and Hb are mounted so that there are handles on every other panel.
6/7	Push the plastic bolts V through the holes in end panel E and through the insulation Fa. Place plastic washers T over the bolts and tighten nuts U until the insulation is compressed about ¼" or 5mm. You will find it easier if you carry out this operation while you are putting the panels on.	
8	Fix diagonal bracing piece Q using bolts P and nuts J.	

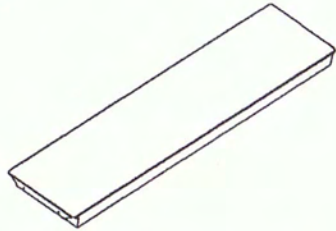
PARTS 2009-01



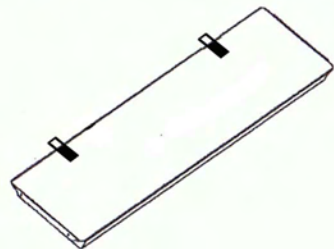
Ha(1x)



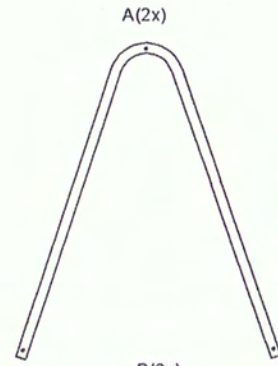
Hb(3x)



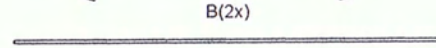
Hc (2x)



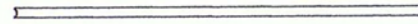
Hd (1x)



A(2x)



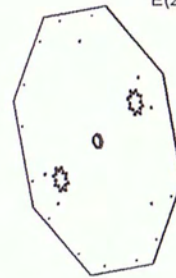
B(2x)



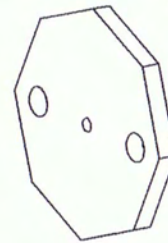
C(2x)



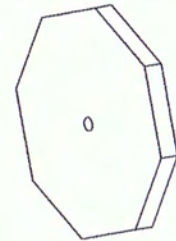
D(1x)



E(2x)



Fa(2x)



Fb(1x)



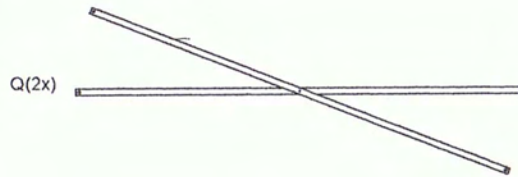
K(2x)



L(2x)



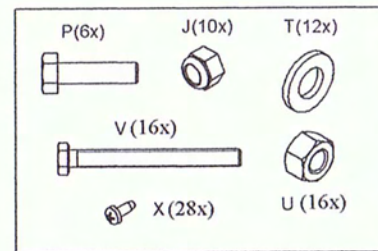
M(2x)



Q(2x)

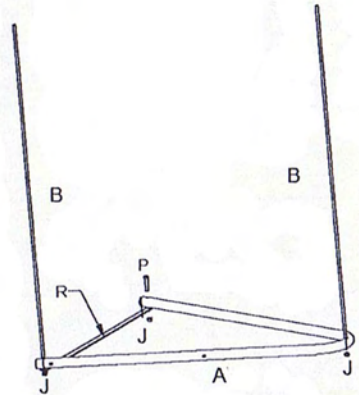


R(2x)

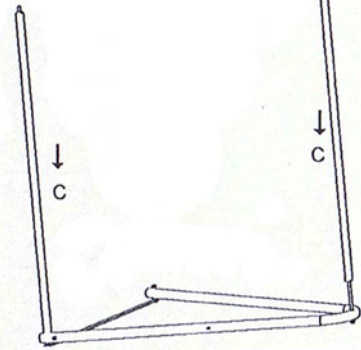


ASSEMBLY 2009-04

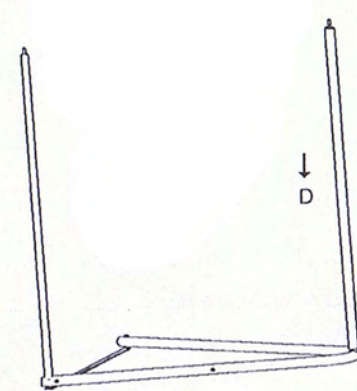
1.



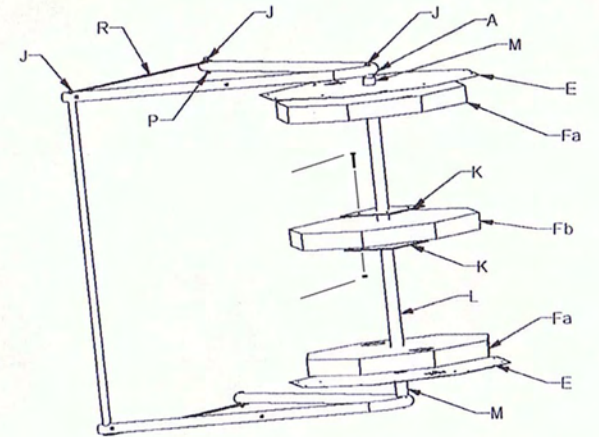
2.



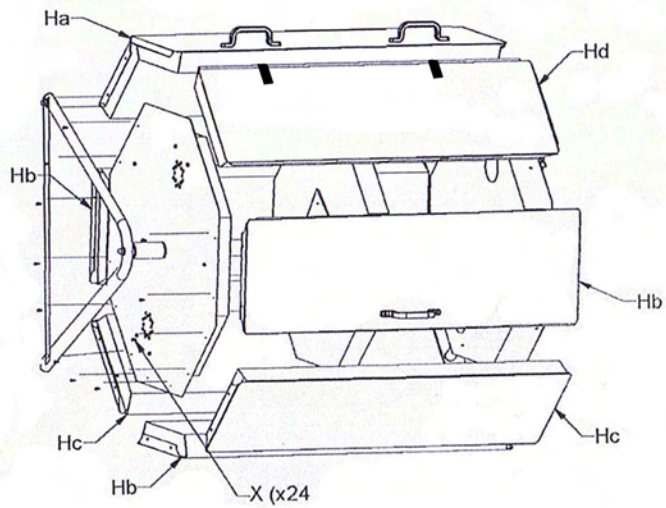
3.



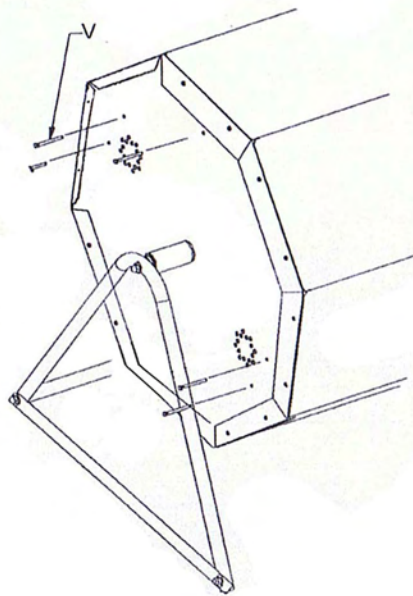
4.



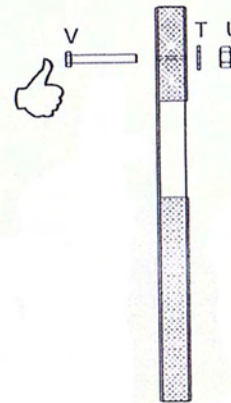
5.



6.



7.



8.

