

## Assembly Instructions JK125

Notes	a	<b>DO NOT THROW AWAY OR REMOVE ANY OF THE INSULATION MATERIALS - THESE ARE NOT PACKAGING!!!</b>
	b	<b>Two people will assemble the machine quicker than one.</b>
	c	<b>Self-tapping screws X - these have a larger diameter than the holes - do not be afraid to 'force' them - the idea is that they cut a thread in the metal of the octagonal end panels. Do not fully tighten the screws until all panels are in place</b>

**Tools**            2 x 13 mm wrenches (or adjustables)  
                          Cross head / Phillips screwdriver

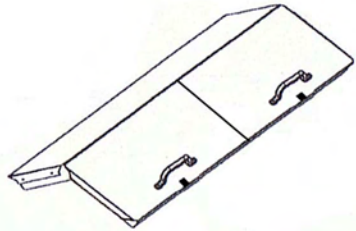
**Diagram      What to do**  
**No.**

1	a	Insert the threaded rods through the holes in the support A as shown.
	b	Hand-tighten lock-nuts J onto the end of the threaded rods B
2	Slip steel pipes C over rods B	
3	Insert the long plastic pipe D over pipe C as shown in diagram 3 (this might have been done in the factory).	
4	a	Slip 1 x plastic pipe M over plastic pipe D.
	b	Place metal side panel E onto D (if tight, lubricate with washing-up liquid)
	c	Place insulation Fa onto D and line up the ventilation holes with those on E
	d	Place 1 x plastic pipe L onto D and push down as far as it will go.
	e	Place plastic plate K onto D, followed by the insulation Fb and the other plate K .
	f	Line up the holes on plates K and push plastic bolts V through the insulation.
	g	Screw on plastic nuts U and tighten until the insulation is compressed about ¼" or 5mm
	h	Place other plastic pipe L onto D, pushing it down as far as it will go.
	i	Push insulation Fa onto D followed by the metal side panel E, lining up the ventilation holes, then other plastic pipe M.
	j	Mount the other support A onto rods B and hand tighten lock-nuts J (note: if not enough of the thread is visible, push down pipes L and the insulation pieces as far as they will go).
	k	Carefully place the machine upright on its stand.
l	Tighten the lock-nuts J with the spanners / wrenches	
5	a	Attach the double panel Ha. <b>Note that there is one edge of the end piece that has no screw holes. The opening lids should be positioned on this edge</b> The other panel is screwed on. You might have to press down and compress the insulation slightly to line up the holes.
	b	Screw on panel Hd so that the opening lids can be clipped shut.
	c	Panels Ha and Hb are mounted so that there are handles on every other panel.
6/7	Push the plastic bolts V through the holes in end panel E and through the insulation Fa. Place plastic washers T over the bolts and tighten nuts U until the insulation is compressed about ¼" or 5mm. You will find it easier if you carry out this operation while you are putting the panels on.	

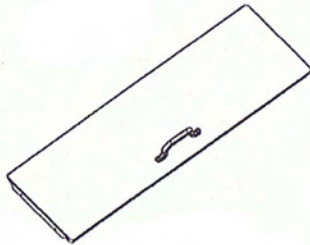
### !!! - WARNING - !!!

**If the machine is wall-mounted be aware that when full of compost the machines are extremely heavy. A full JK 270 can weigh up to 250kg (560 lbs)!! Make sure that the machine is fixed to a substantial wall or other structure and that adequate fixing bolts or screws are used**

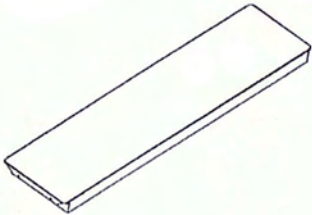
PARTS 2009-2



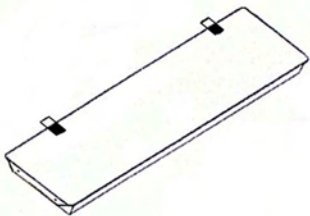
Ha(x1)



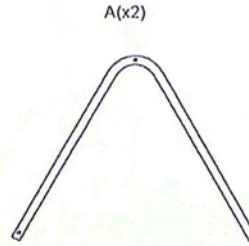
Hb(x3)



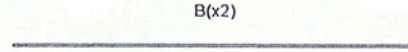
Hc(x2)



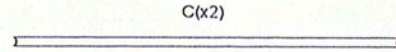
Hd(x1)



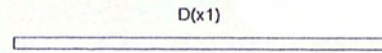
A(x2)



B(x2)



C(x2)



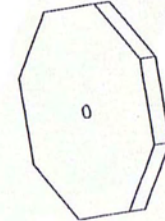
D(x1)



E(x2)



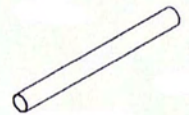
Fa(x2)



Fb(x1)



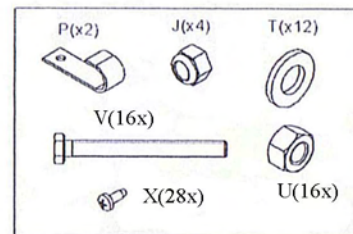
K(x2)



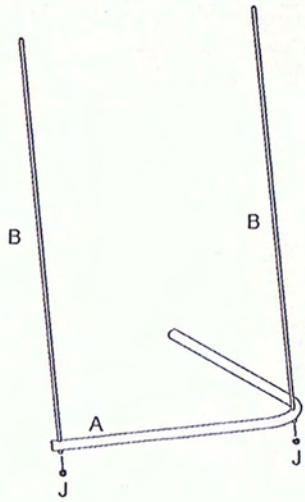
L(x2)



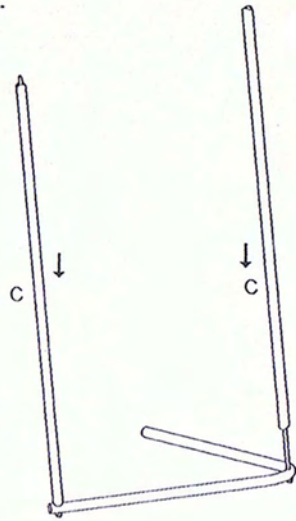
M(x2)



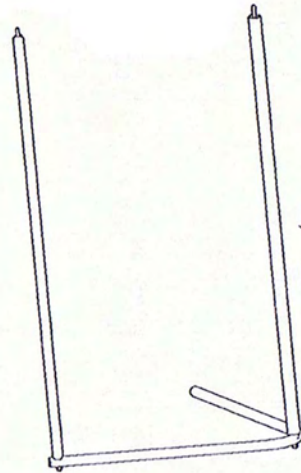
1.



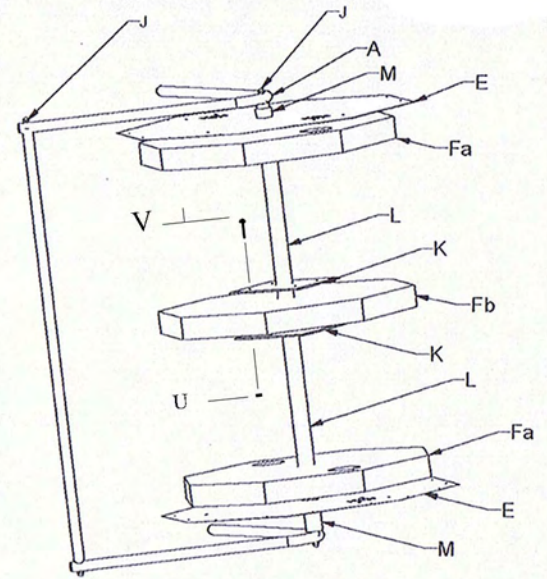
2.



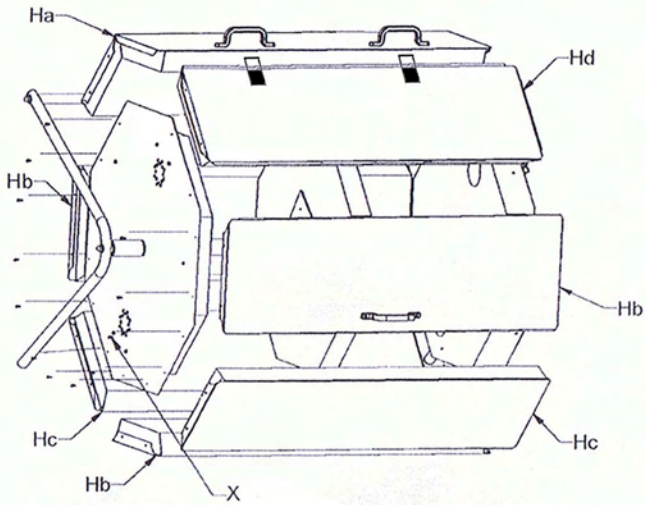
3.



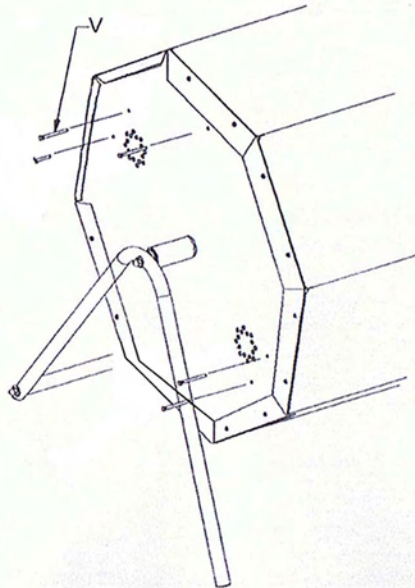
4.



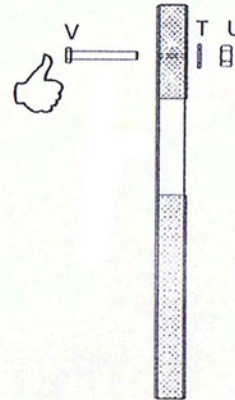
5.



6.



7.



8.

